

# Quick-Lift Arm

QL A 200i

**Intelligent lifting device which meets the highest standards of ergonomics, working environment, safety and efficiency.**

Unique integrated mechanical, electric, pneumatic swivel simplifies use and minimizes maintenance.

Easy to use thanks to outstanding responsiveness, regardless of load weight.

Exceptional safety achieved using our intelligent control systems.

The best auto balance available regardless of load weight.

High reliability and low power consumption results in superior cost efficiency.

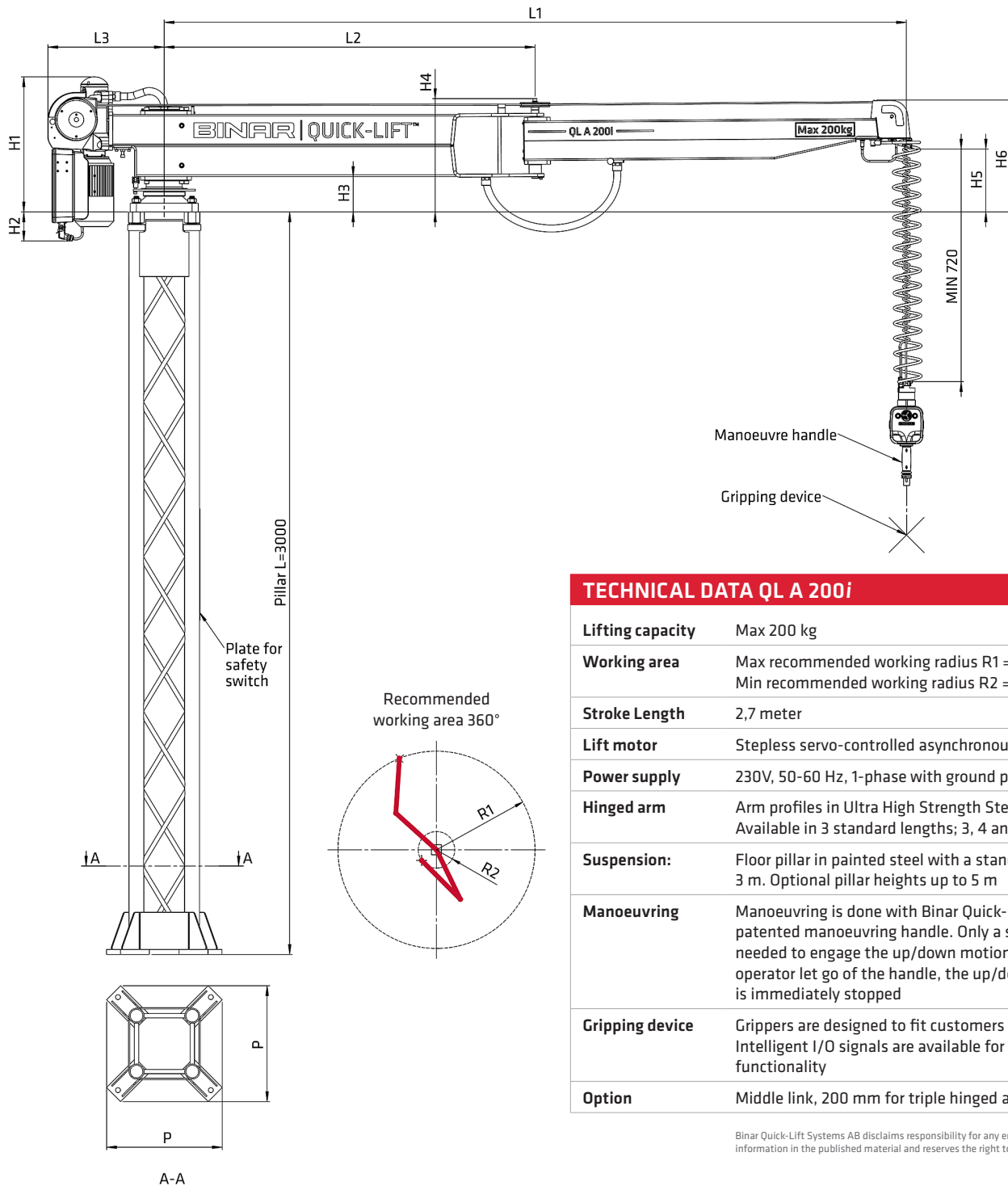


**BINAR**

*Improving your productivity*

# Quick-Lift Arm

# QL A 200i



## TECHNICAL DATA QL A 200i

<b>Lifting capacity</b>	Max 200 kg
<b>Working area</b>	Max recommended working radius R1 = L1 - 300 mm Min recommended working radius R2 = See chart
<b>Stroke Length</b>	2,7 meter
<b>Lift motor</b>	Stepless servo-controlled asynchronous motor
<b>Power supply</b>	230V, 50-60 Hz, 1-phase with ground protection, 10A
<b>Hinged arm</b>	Arm profiles in Ultra High Strength Steel (UHSS). Available in 3 standard lengths; 3, 4 and 5 m
<b>Suspension:</b>	Floor pillar in painted steel with a standard height of 3 m. Optional pillar heights up to 5 m
<b>Manoeuvring</b>	Manoeuvring is done with Binar Quick-Lifts patented manoeuvring handle. Only a small force is needed to engage the up/down motion. When the operator let go of the handle, the up/down motion is immediately stopped
<b>Gripping device</b>	Grippers are designed to fit customers need. Intelligent I/O signals are available for optimum functionality
<b>Option</b>	Middle link, 200 mm for triple hinged arm

Binar Quick-Lift Systems AB disclaims responsibility for any errors or incomplete information in the published material and reserves the right to make changes.

Part.no	L1	L2	L3	H1	H2	H3	H4	H5	H6	P	R1	R2
013604	3000	1500	470	549	118	144	458	255	543	467	2700	700
013605	4000	2000	485	702	-38	159	615	344	616	534	3700	800
013606	5000	2500	485	702	-38	159	615	348	620	534	4700	1000

Pillar and manoeuvring handle are ordered separately.

## KUNDEL Industries

1510 Ridge Road • Vienna OH 44473 • US  
 ph +1 (330) 259-9009 • fax +1 (330) 259-9001  
 sales@quickliftsystems.com • www.quickliftsystems.com

2016-08-19 eng 2.02

# BINAR

Improving your productivity